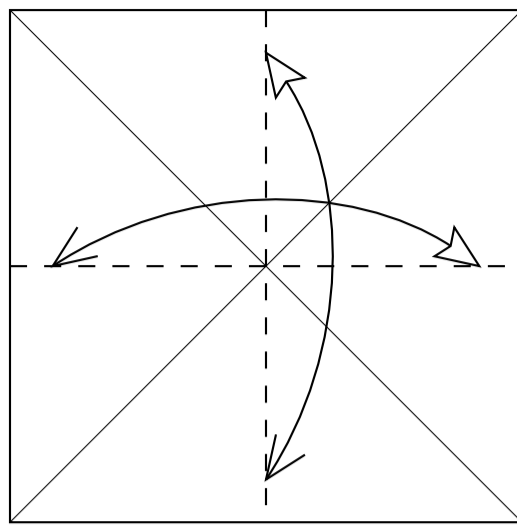
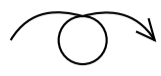
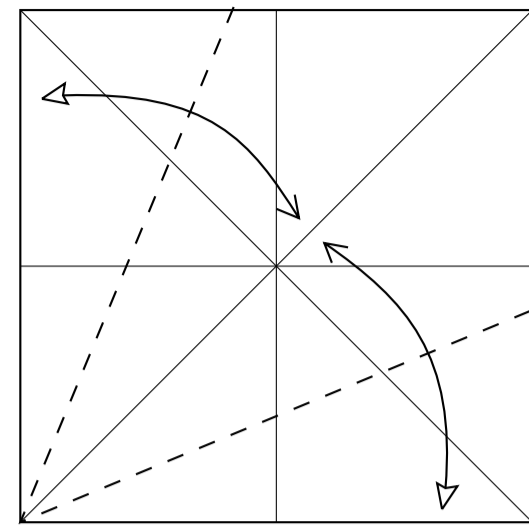


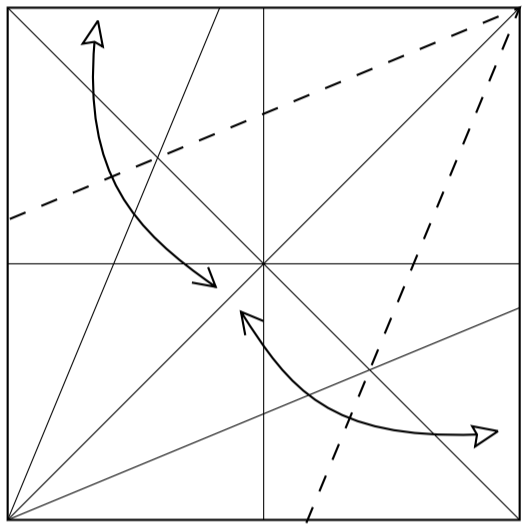
1. Colored Side up. fold and unfold along both diagonals. Turn over.



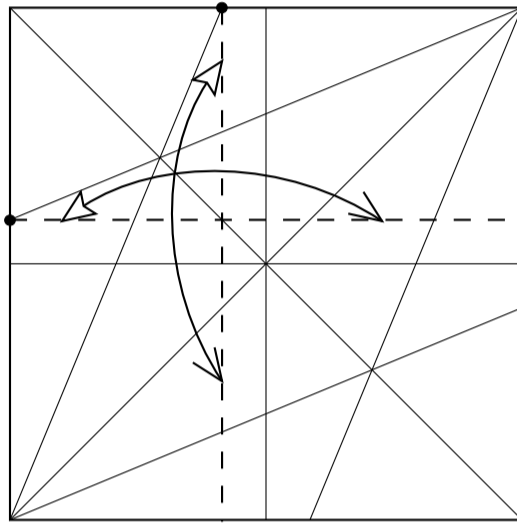
2. Fold and unfold in half both ways.



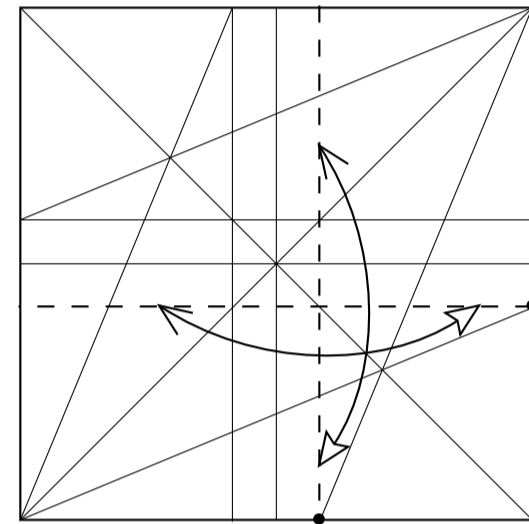
3. Kite fold and unfold.



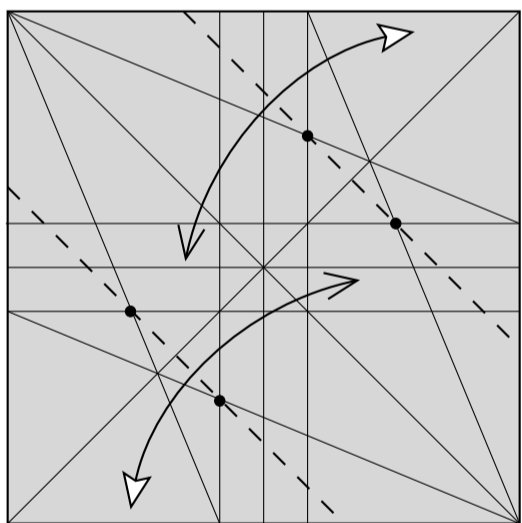
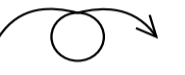
4. Kite fold and unfold.



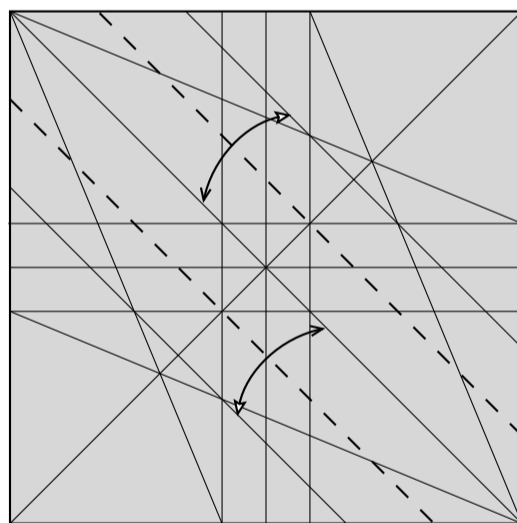
5. Fold and unfold noting the references.



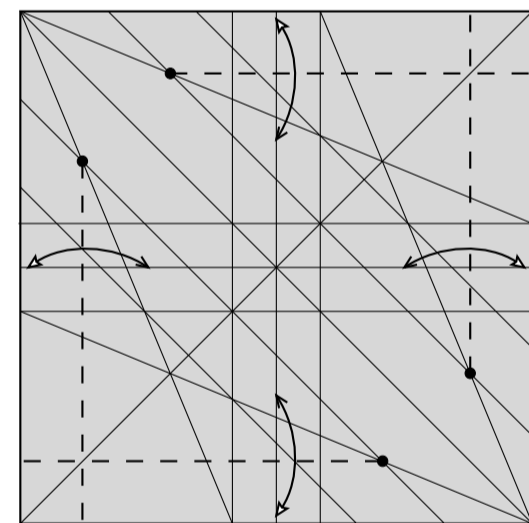
6. Repeat on the other side. Turn over.



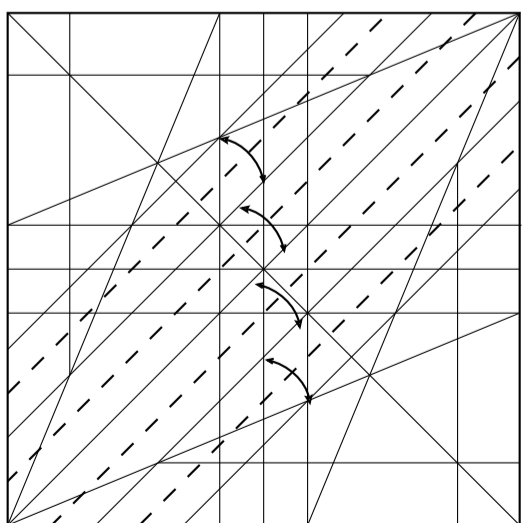
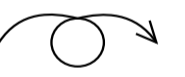
7. Fold and unfold.



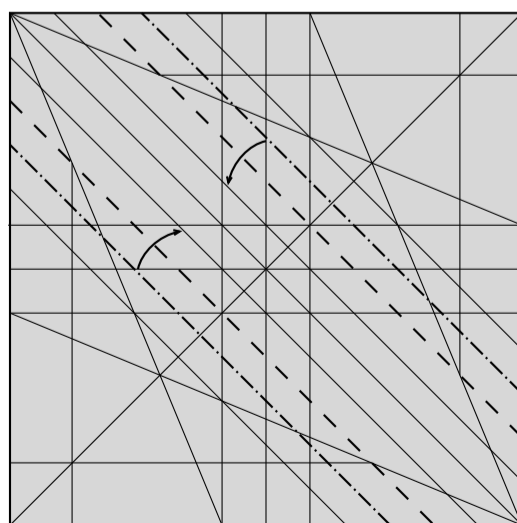
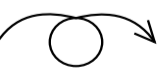
8. Divide the center region into fourths.



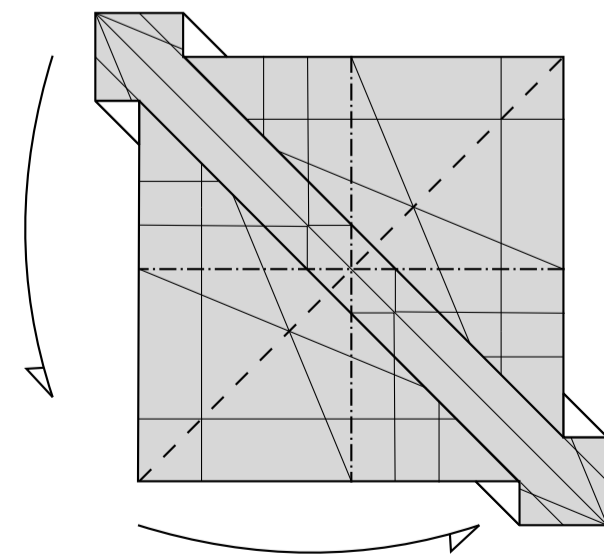
9. Fold and unfold noting the references. Turn over.



10. Divide the center region further into eighths. Turn over.

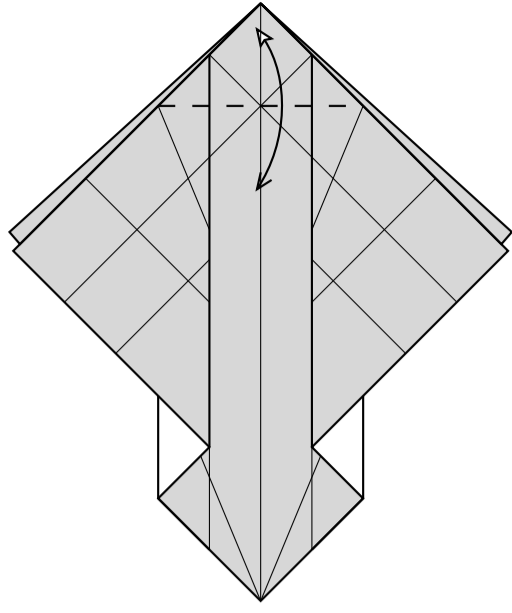


11. Pleat inward on existing creases.

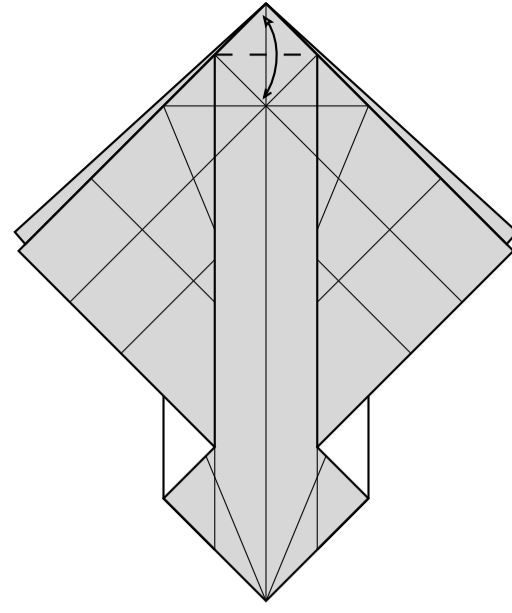


12. Preliminary fold the model. Rotate clockwise 45°.

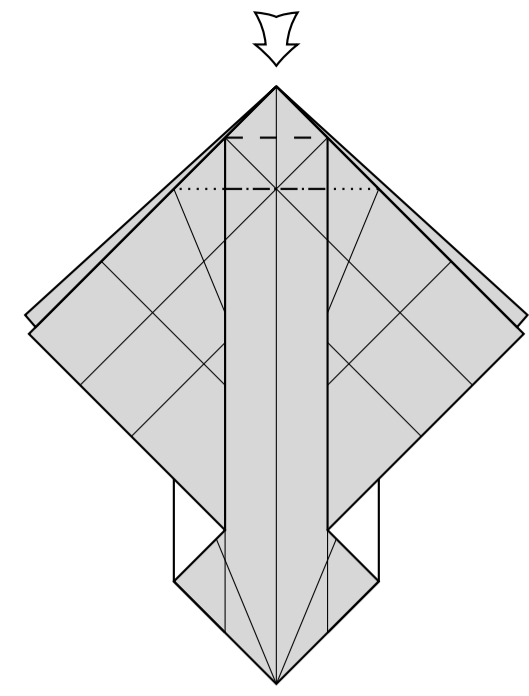




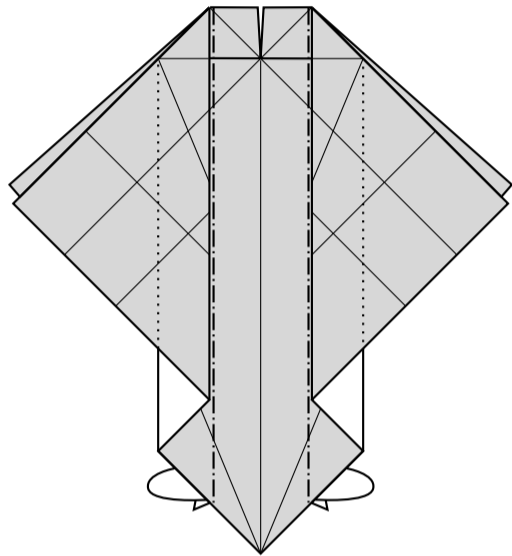
13. Fold and unfold through all the layers at the top .



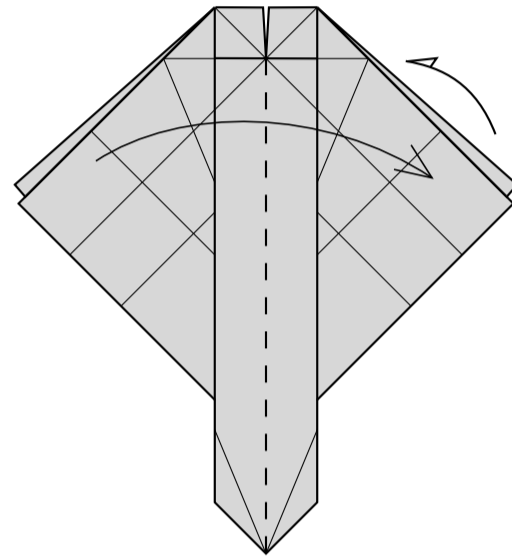
14. Fold and unfold.



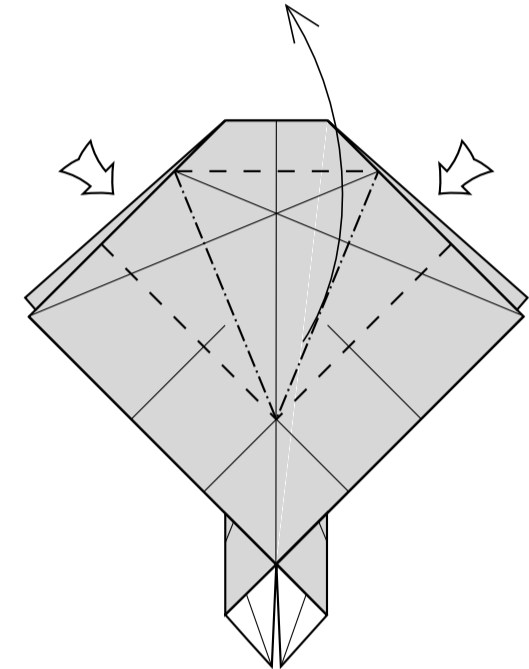
15. Open sink the central layers in and out.



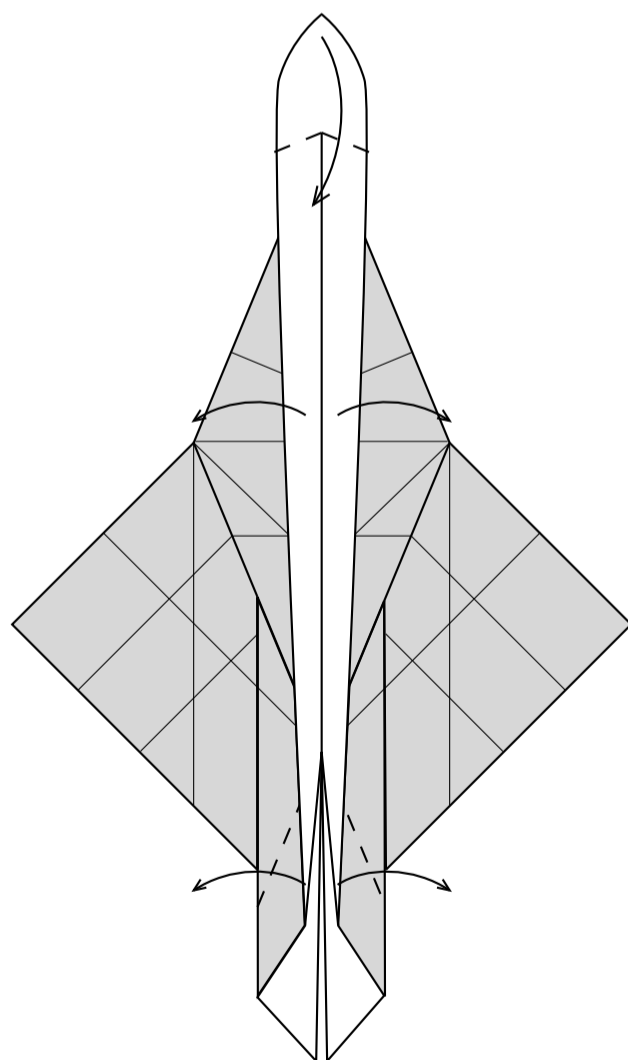
16. Mountain fold the edges to the center. Repeat behind.



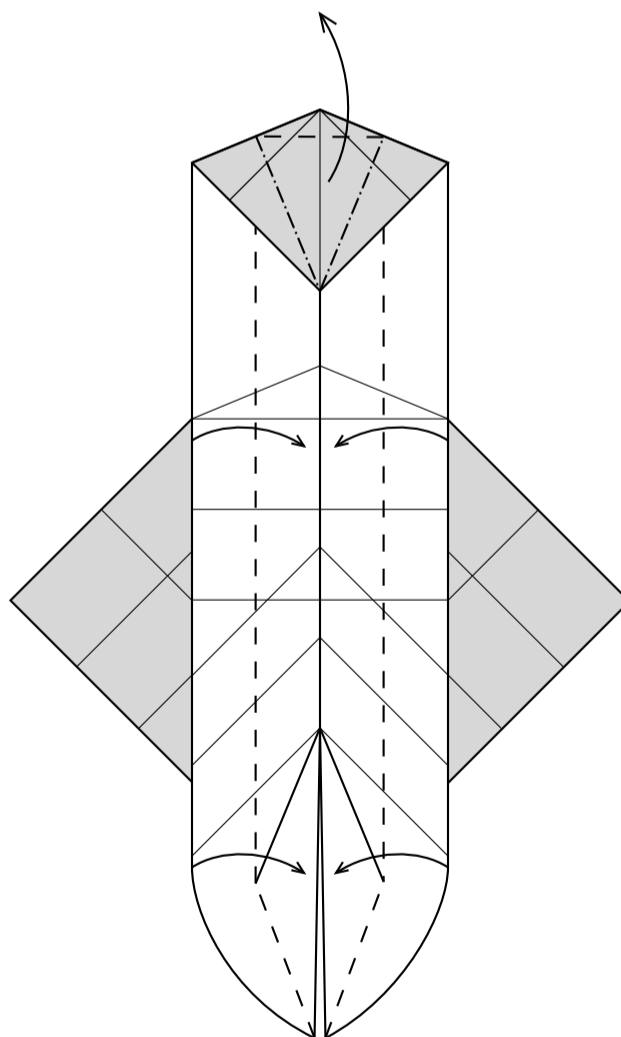
17. Fold one layer to the right. Repeat behind.



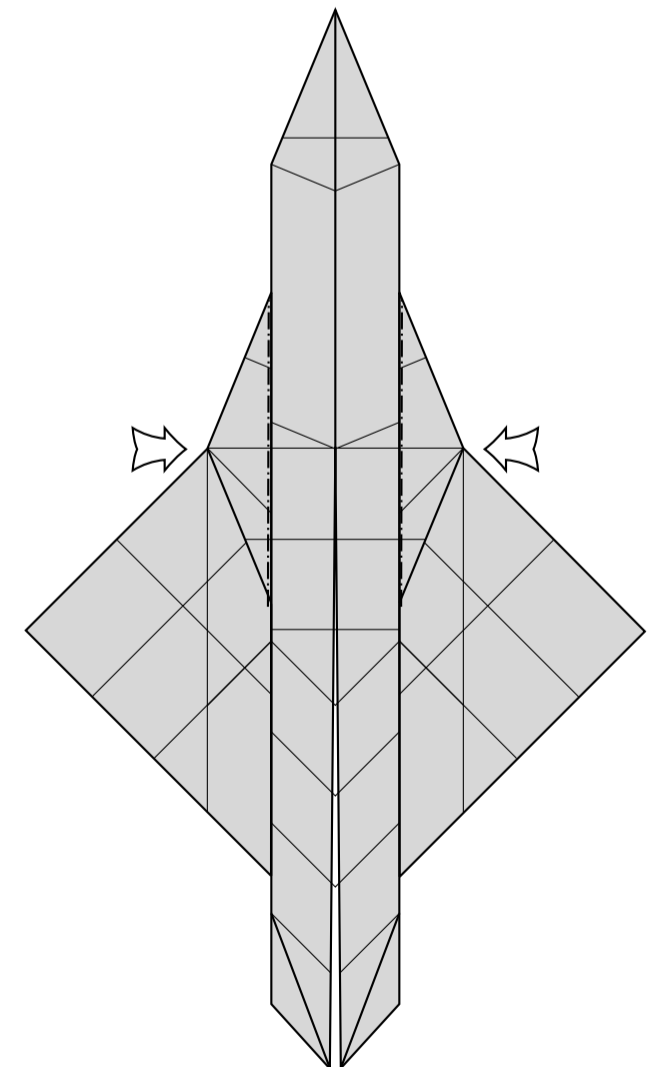
18. Begin to petal fold the flap upward.



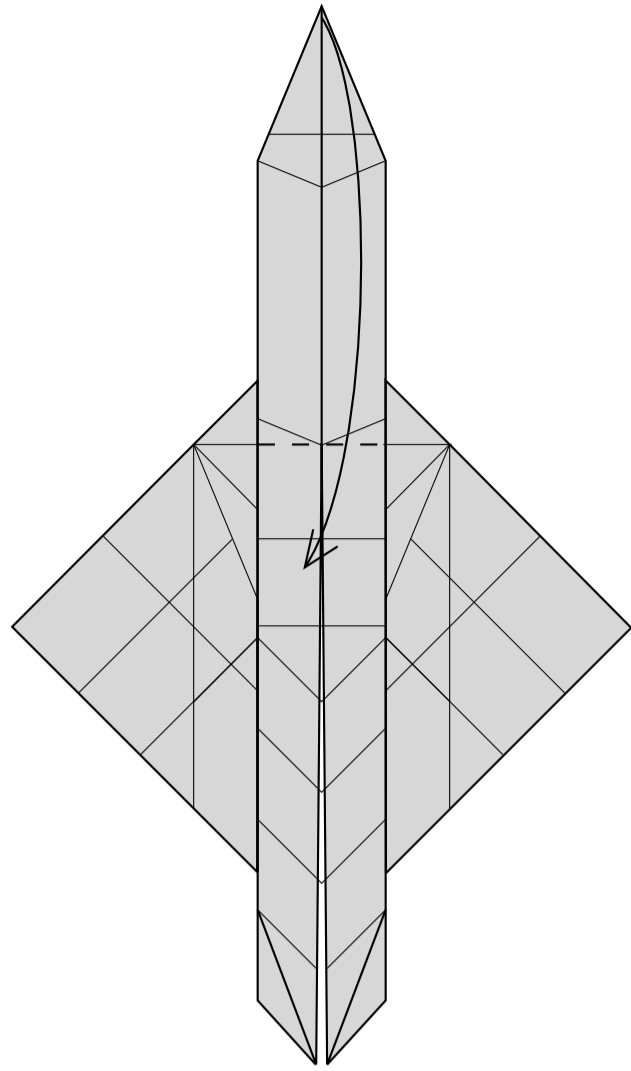
19. Fold the edges outward while squashing the top flap.



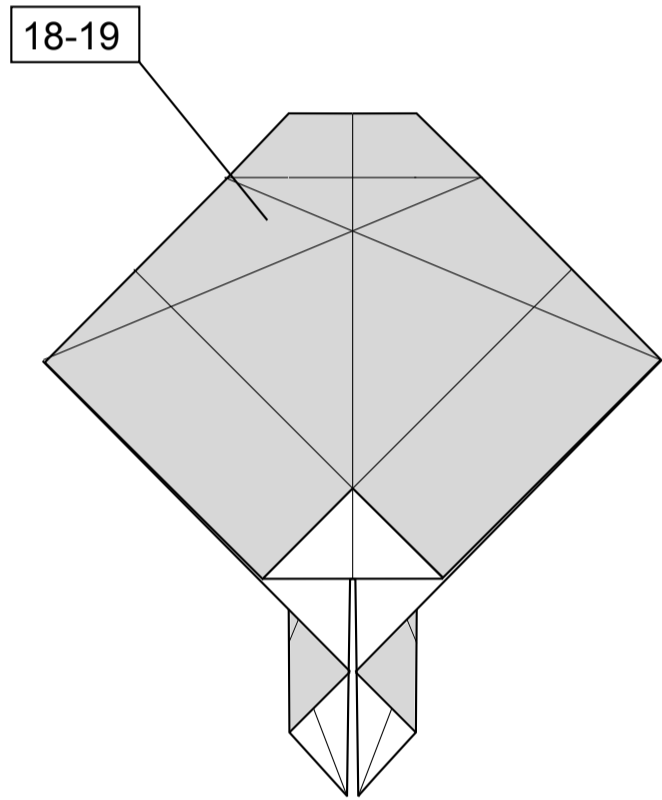
20. Petal fold the top flap up while folding the edges into the center.



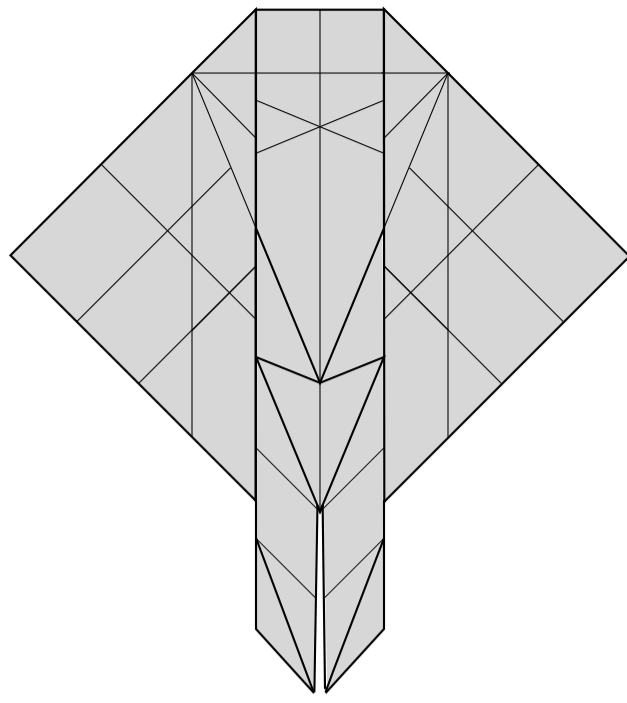
21. Open sink the sides in to match with the layers above.



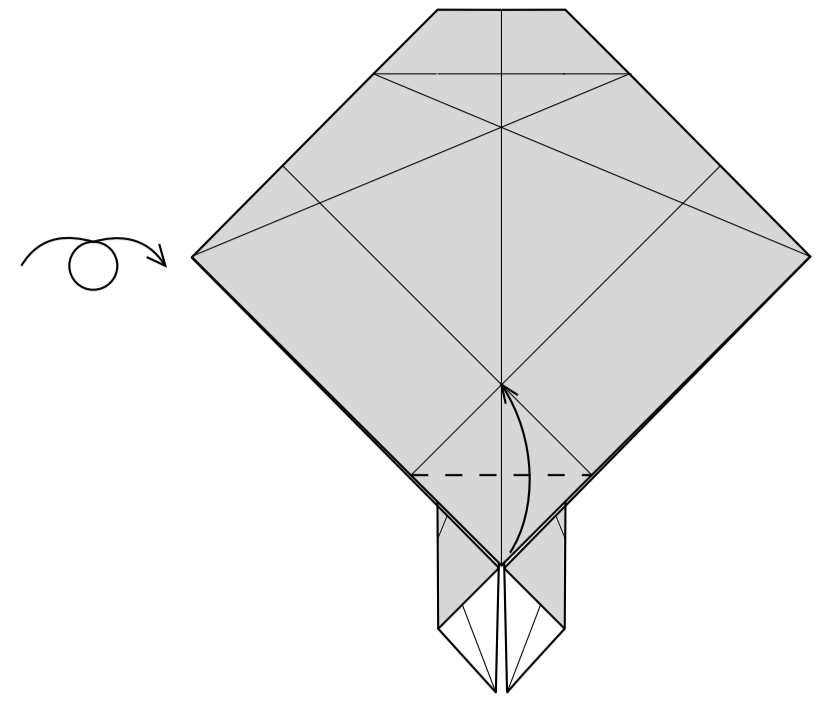
22. Fold the top point down.



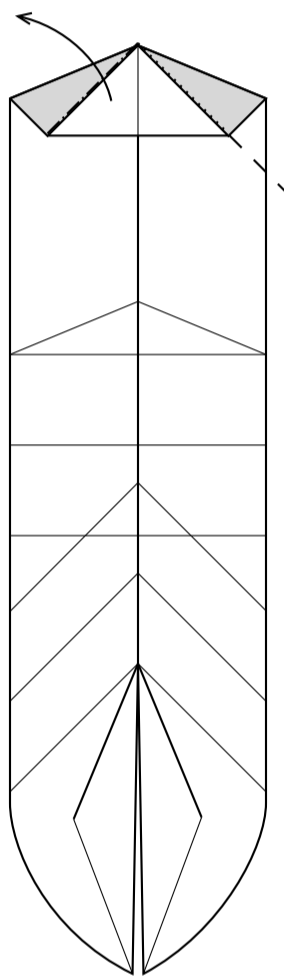
25. Repeas steps 18 - 19 on this side.



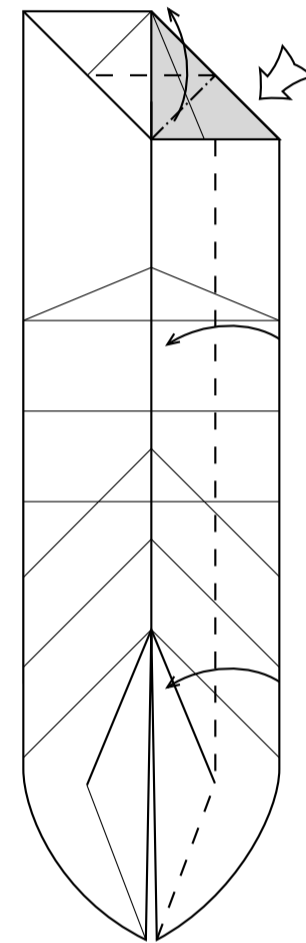
23. Like this. Turn the model over.



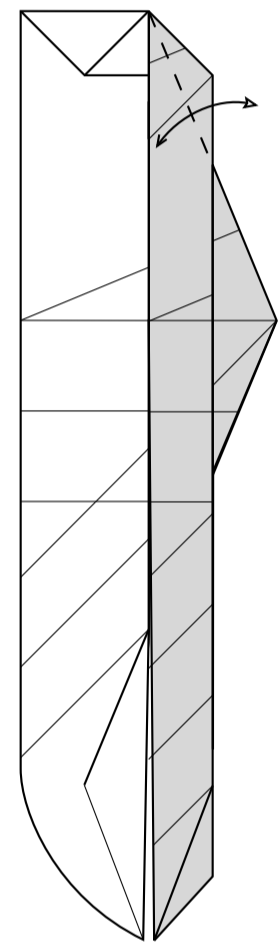
24. Fold the bottom corner up.



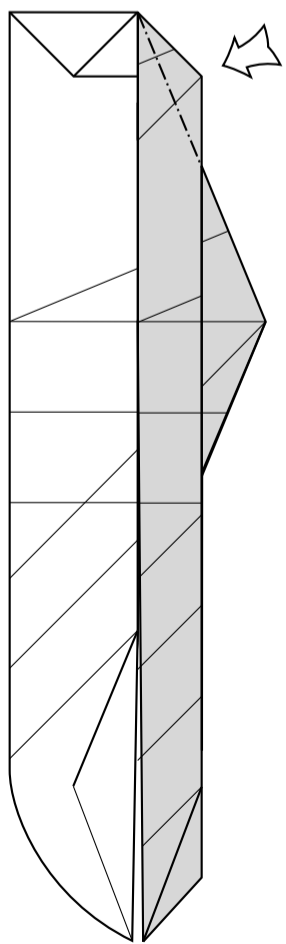
26. Swivel to the left.



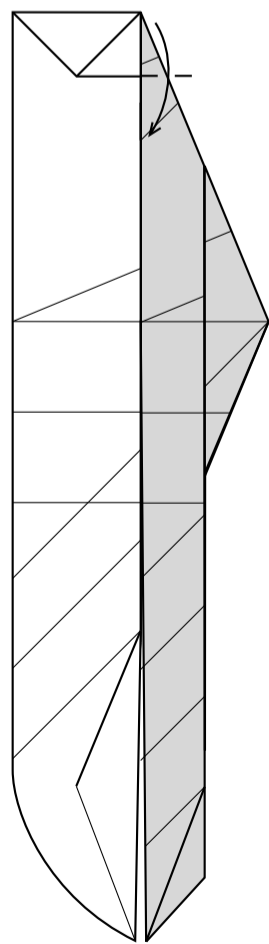
27. Close up one side with a half petal fold.



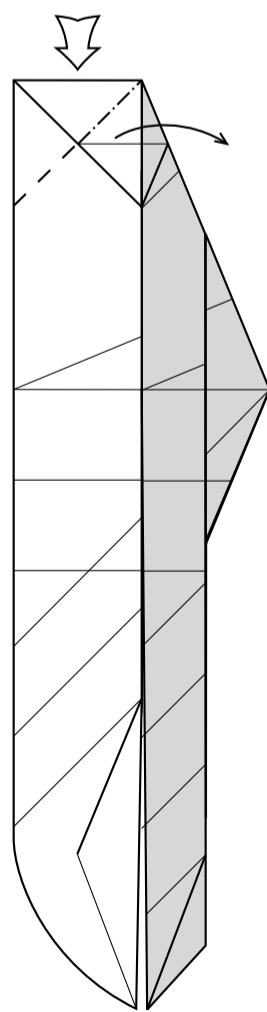
28. Fold and unfold.



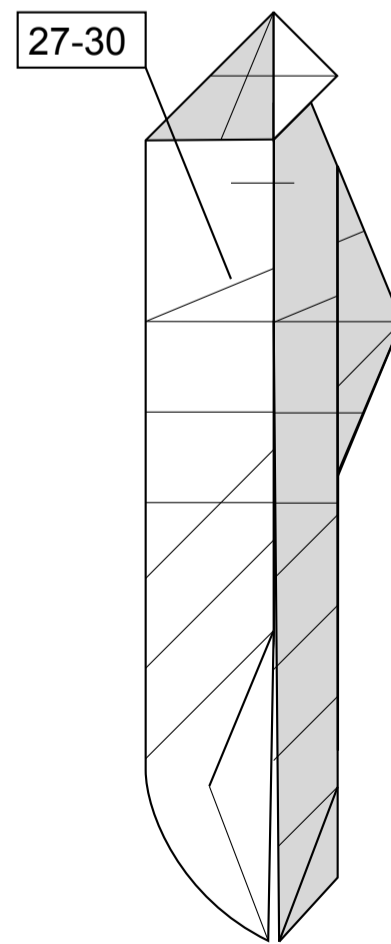
29. Open sink the corner.



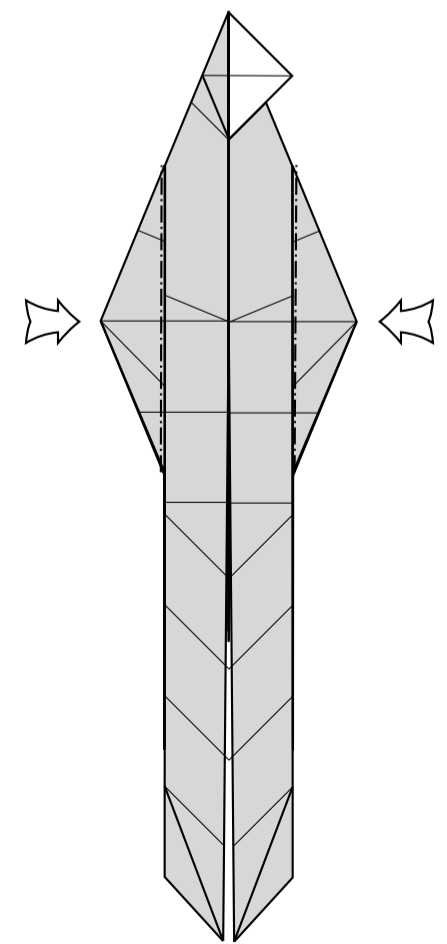
30. Fold the tiny flap back down.



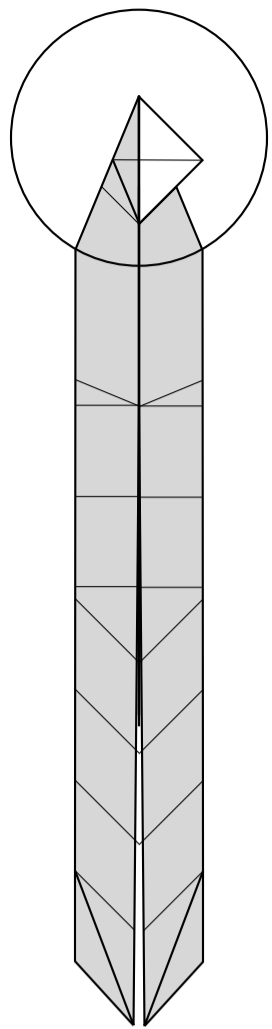
31. Squash fold to the right.



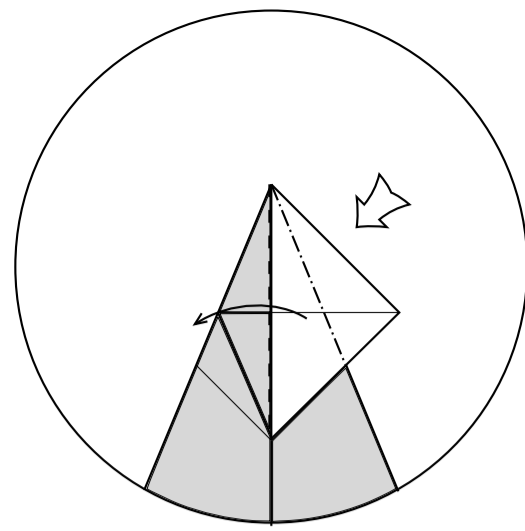
32. Repeas steps 27-30 on ther right.



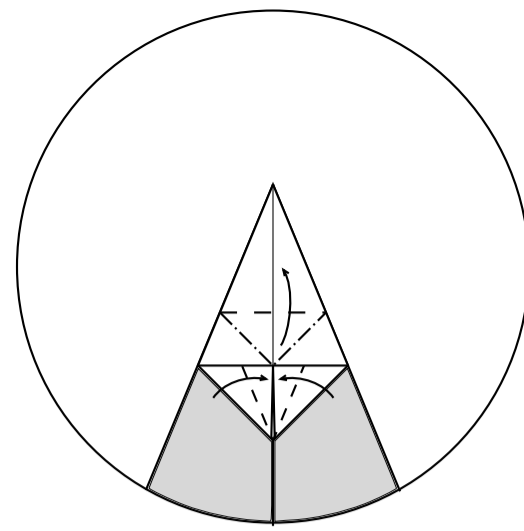
33. Open sink the sides.



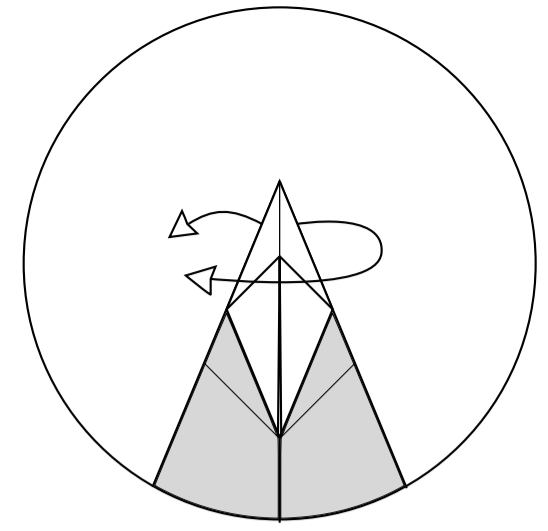
34. Close up.



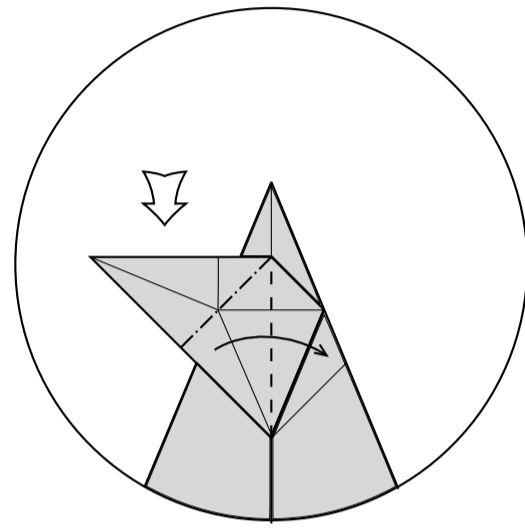
35. Squash fold.



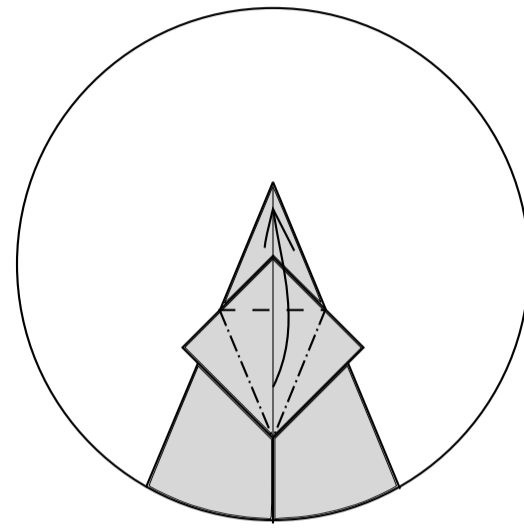
36. Petal Fold.



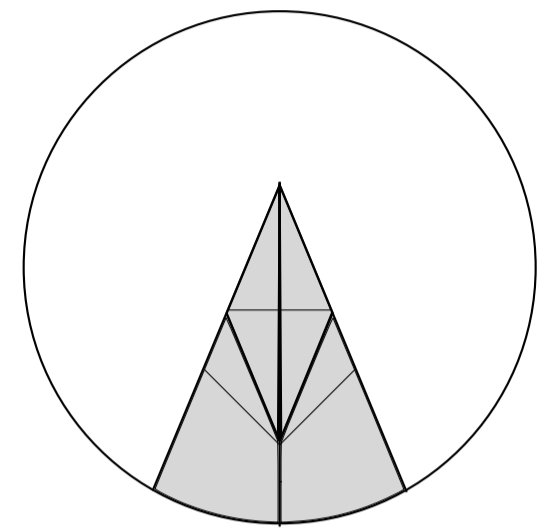
37. Unwrap one layer.



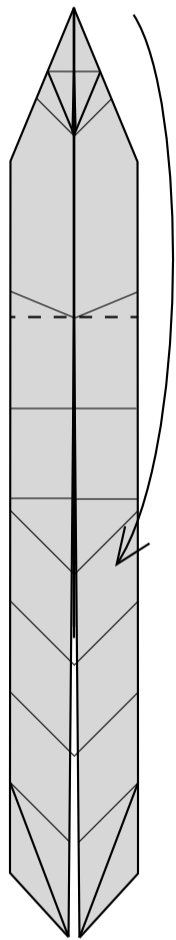
38. Squash fold.



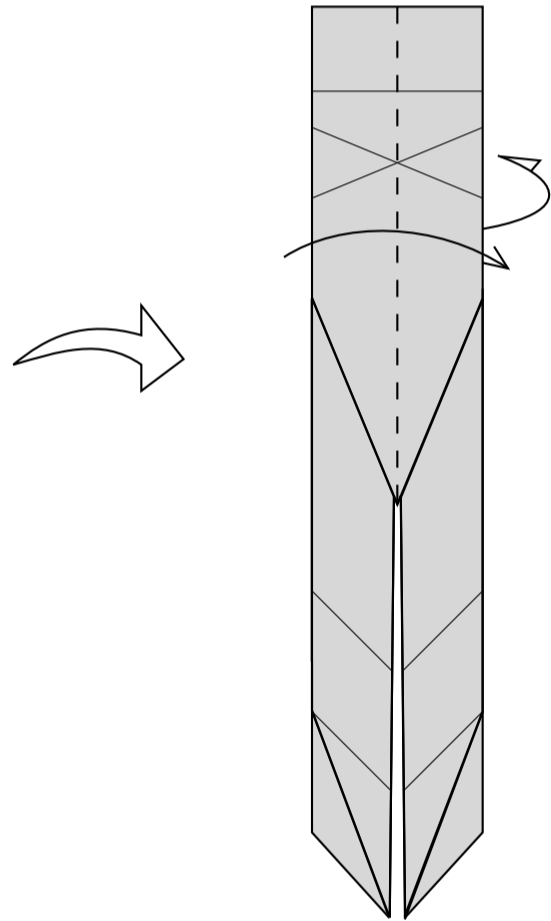
39. Petal Fold.



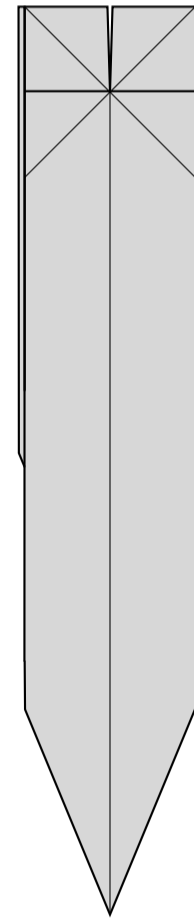
40. Like this.



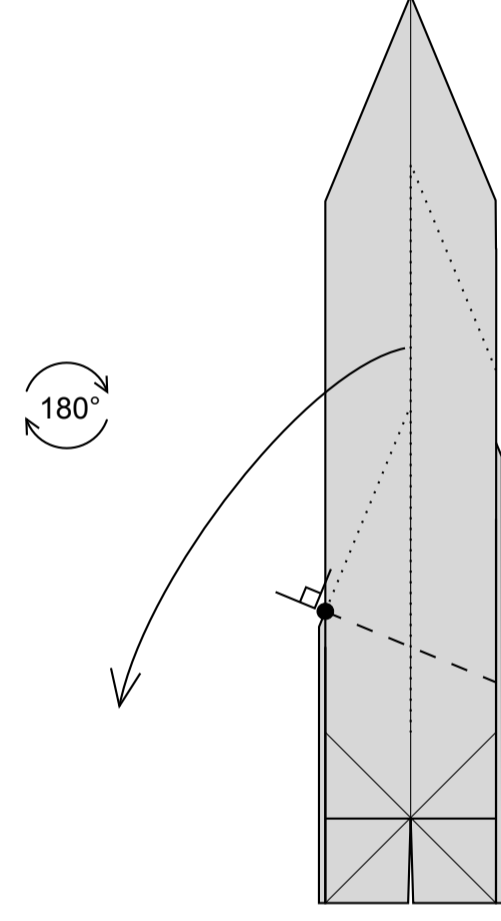
41. Fold the top down.



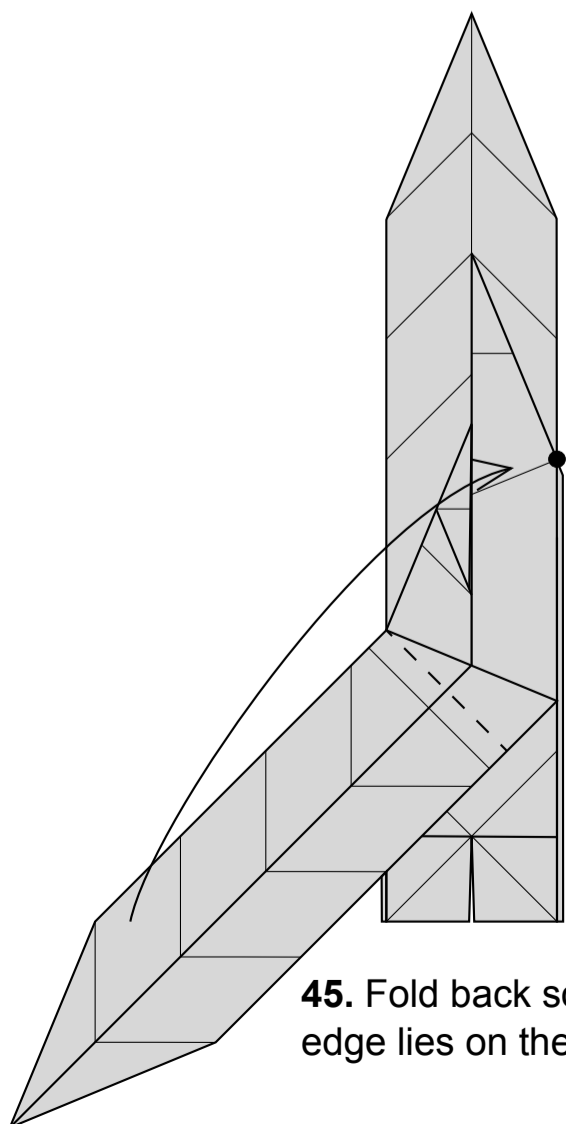
42. Fold one layer to the right. Repeat behind.



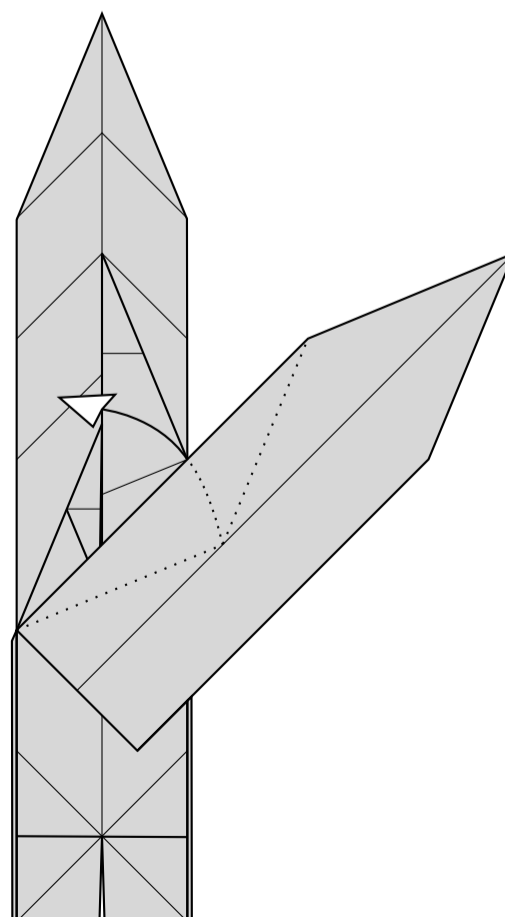
43. Rotate 180°.



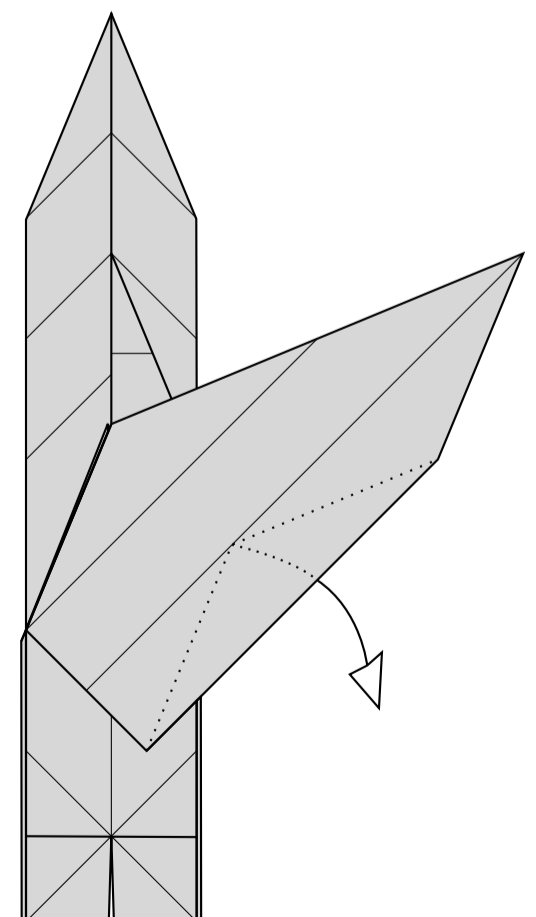
44. Fold the top point over to the left. Note the references.



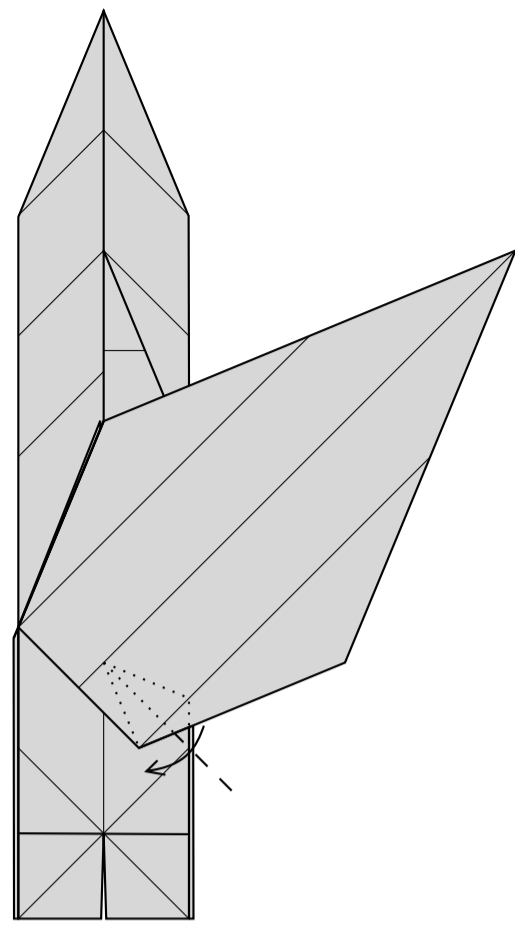
45. Fold back so that the top edge lies on the dot..



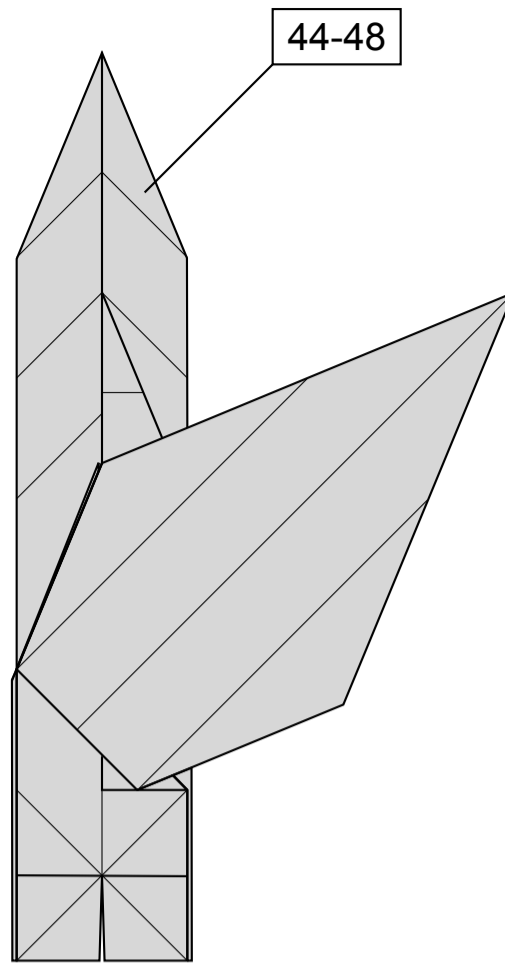
46. Pull out a trapped layer (unsink).



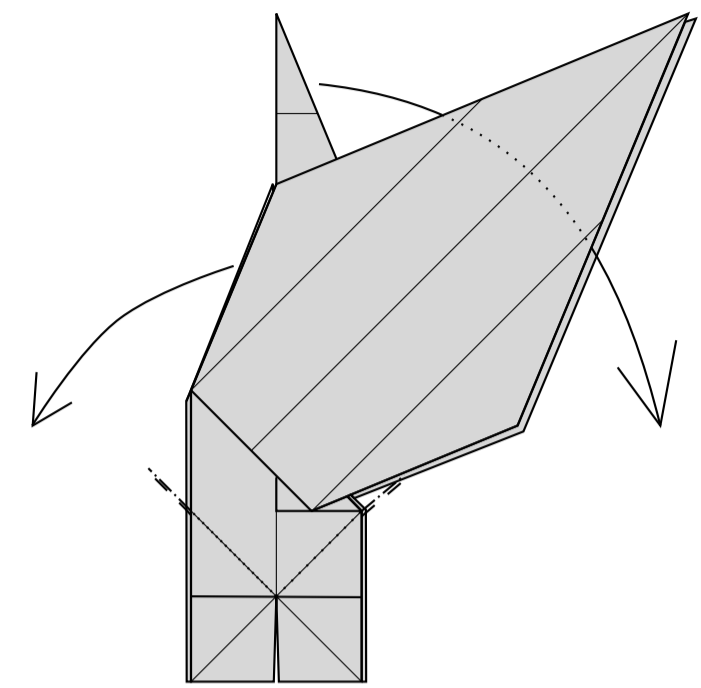
47. Repeat on the right.



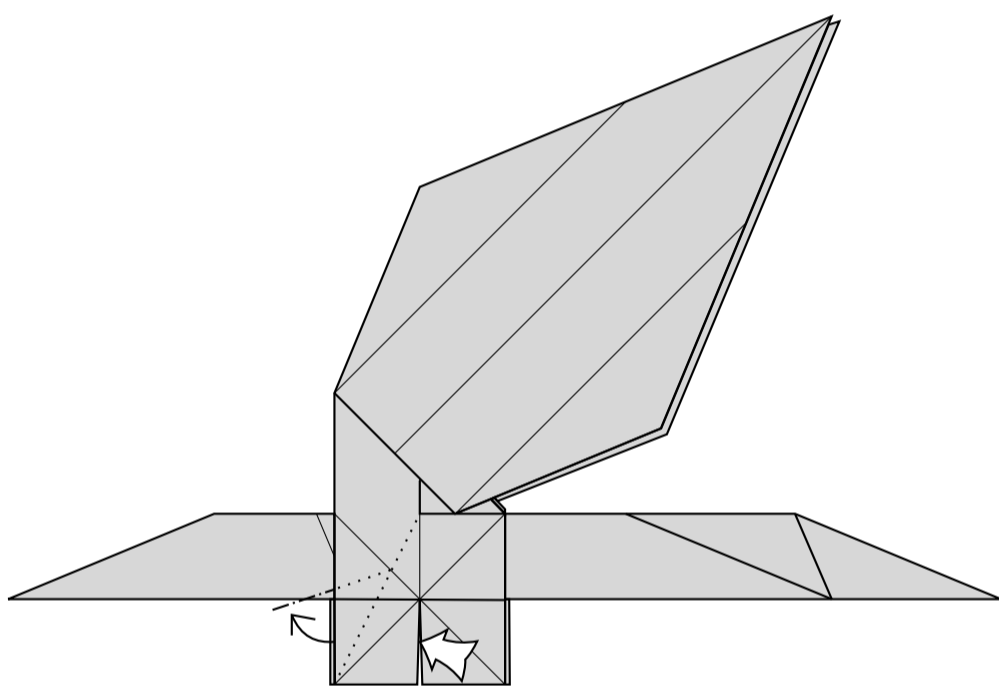
48. Narrow the base of the wing with a reverse fold.



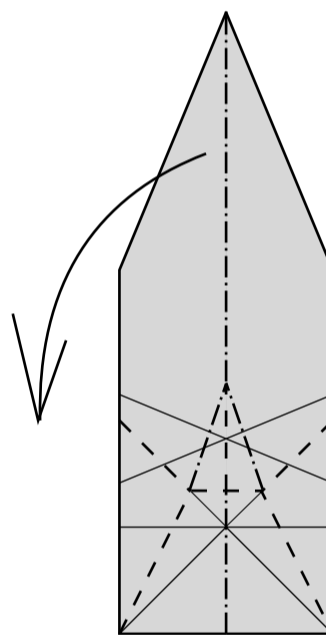
49. Repeat steps 44-48 in mirror image behind.



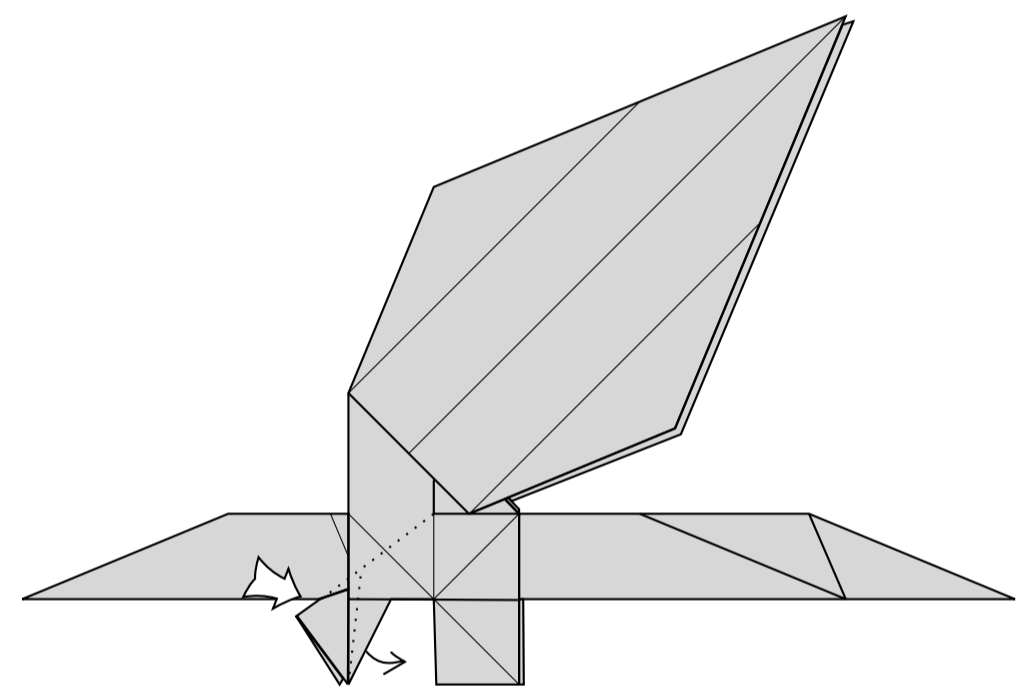
50. Reverse fold the top points out to the sides.



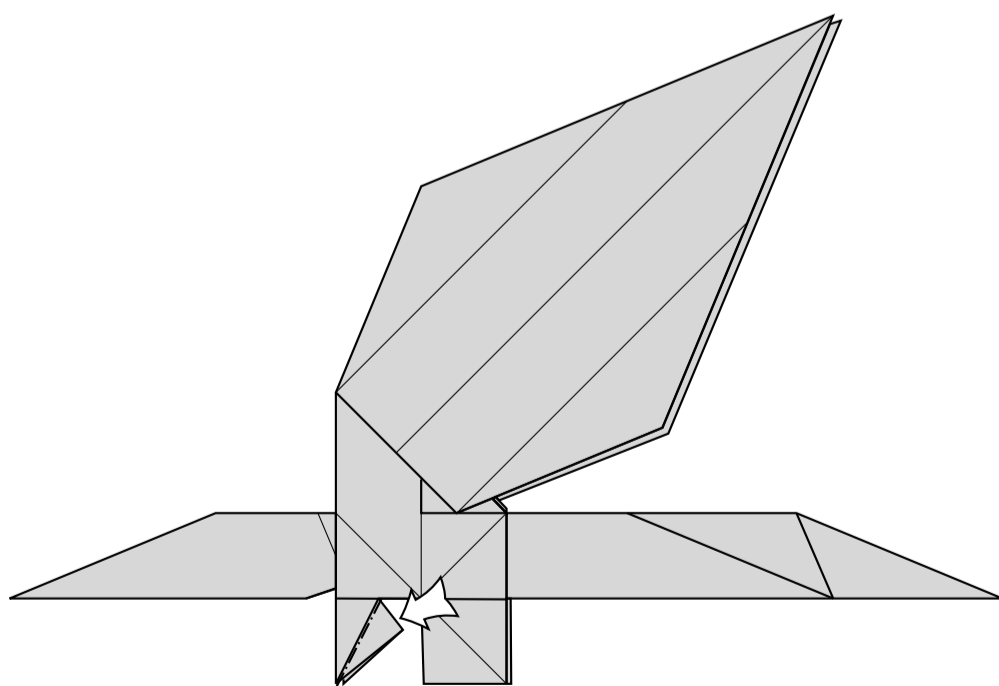
51. Sink the edge as far as possible.



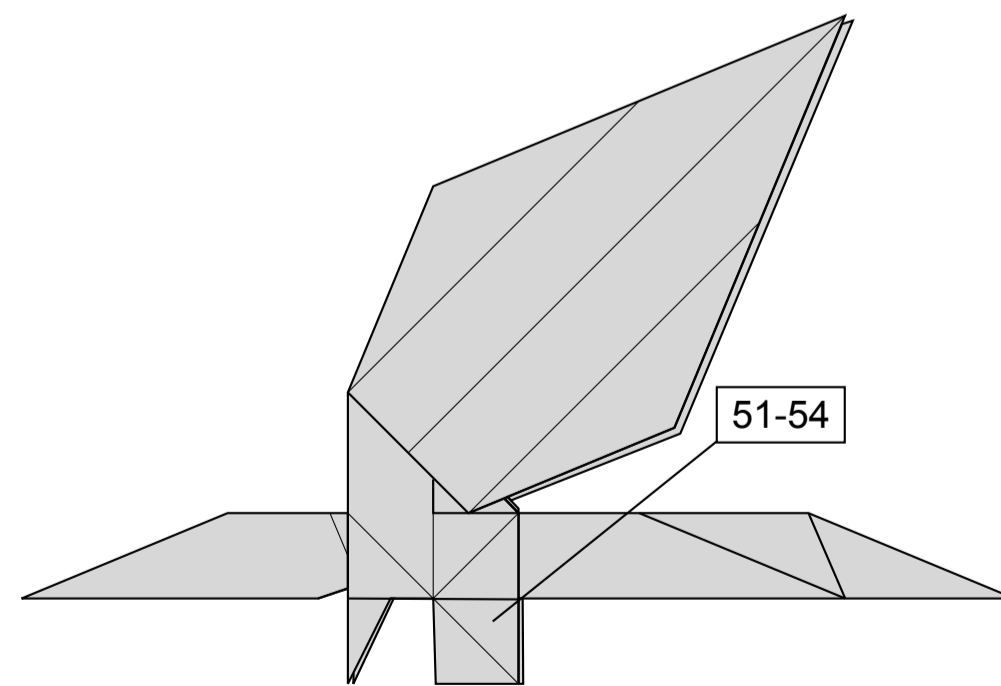
52. Like this.



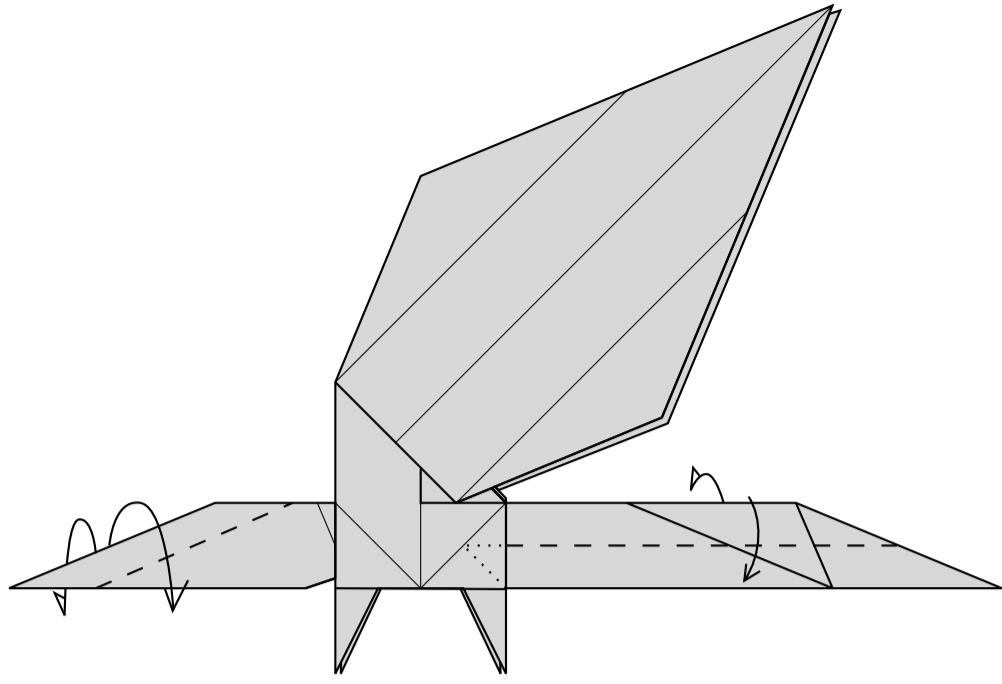
53. Reverse fold on existing creases.



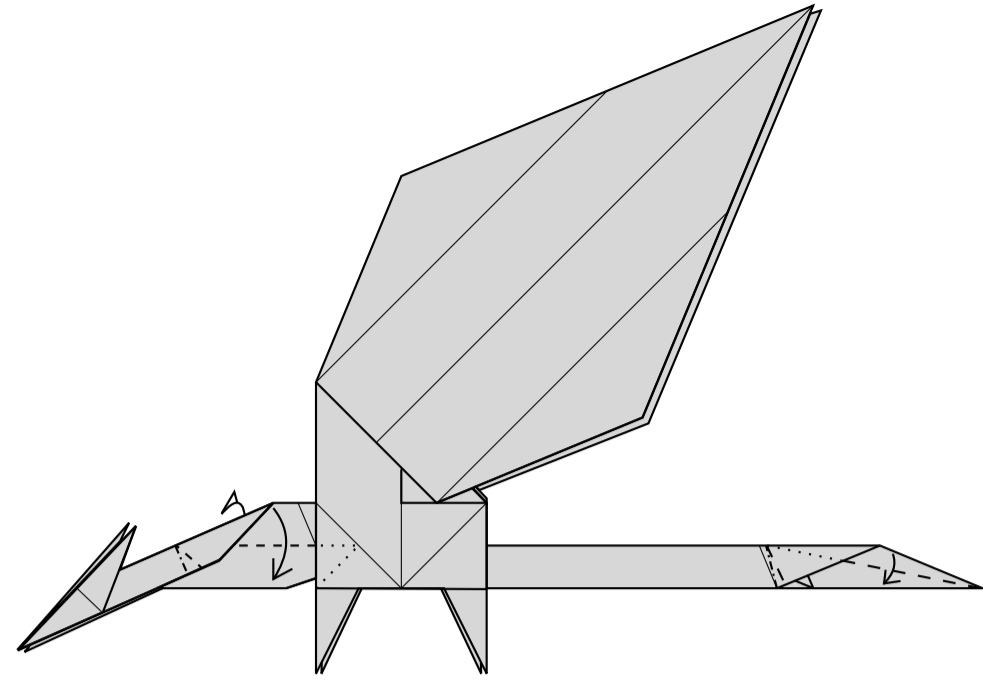
54. Reverse fold.



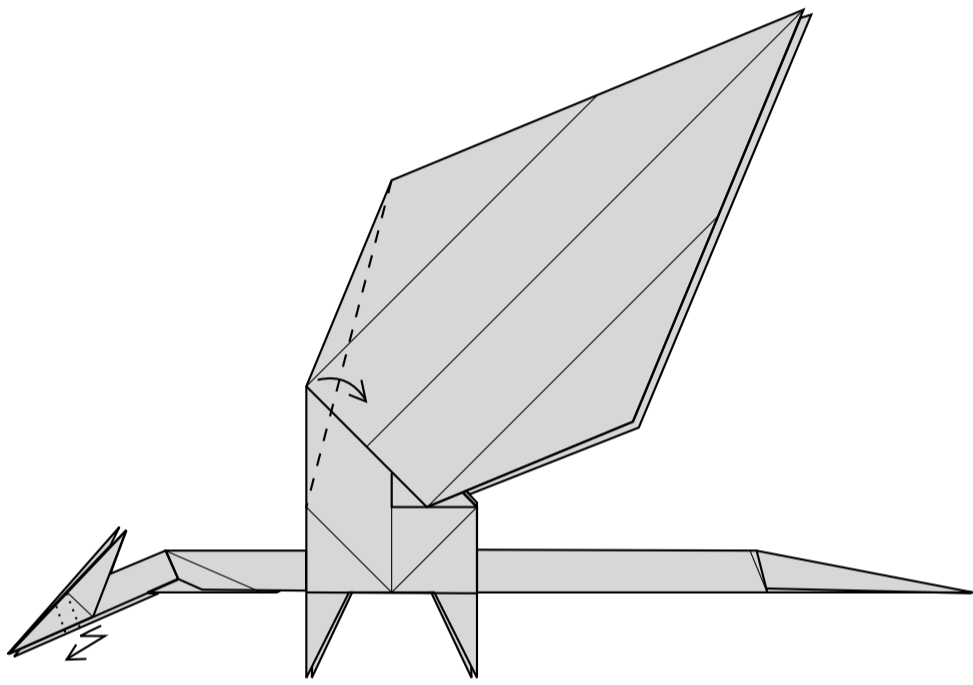
55. Repeat steps 51-54 in the right.



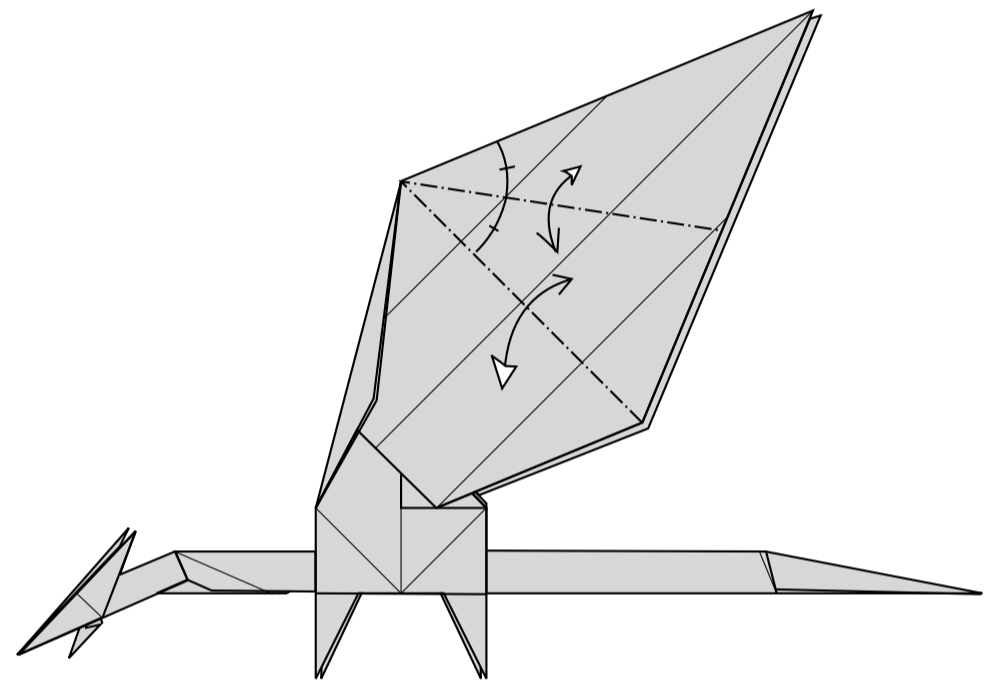
56. Reverse fold the tail and outside reverse fold the neck.



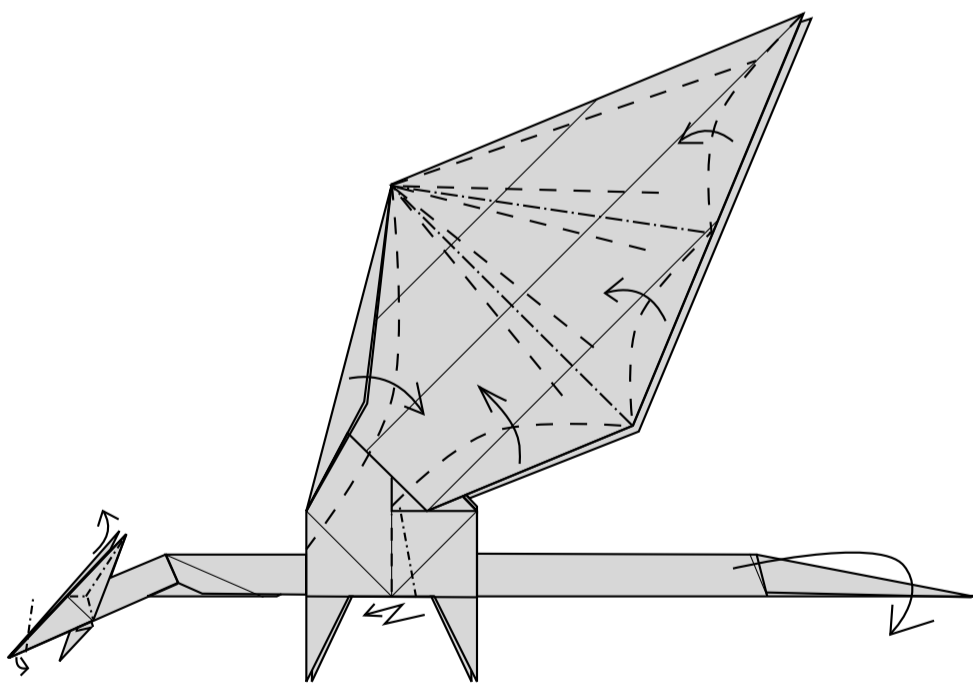
57. Reverse fold neck and tail again.



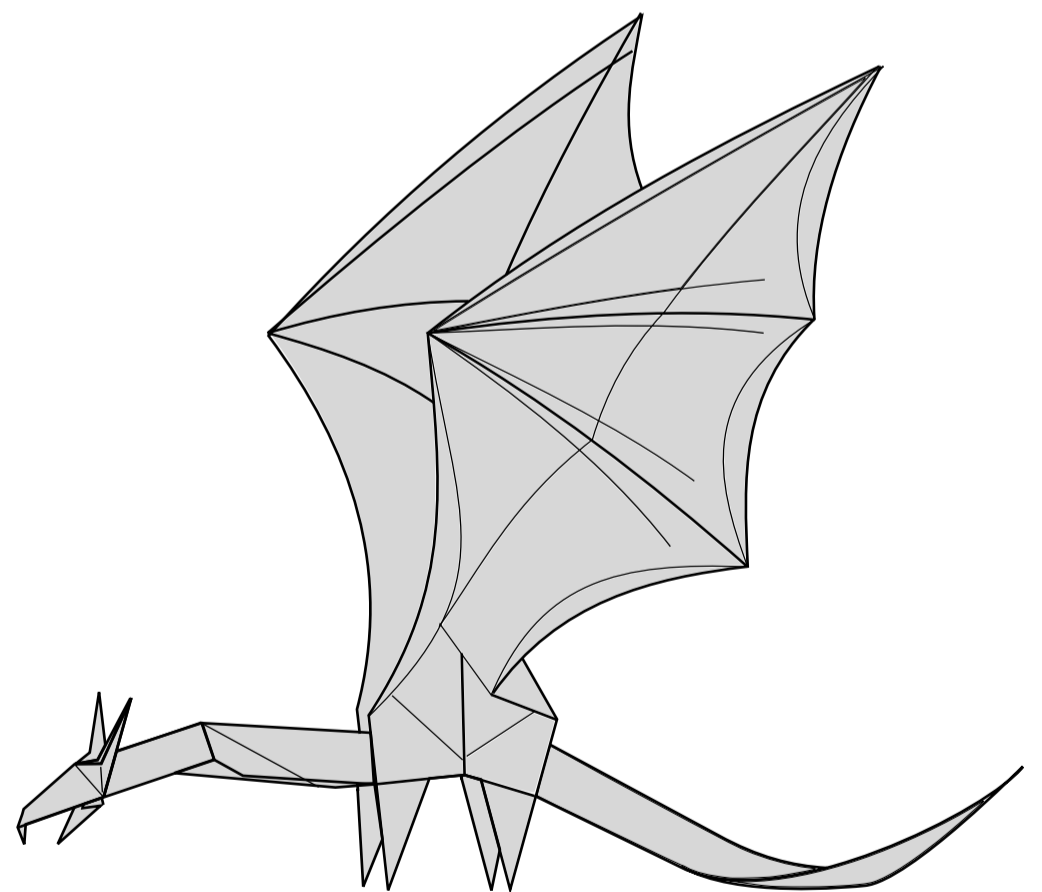
58. Narrow the wing and crimp the mouth.



59. Mountain fold and unfold the wings.



60. Final shaping.



61. Finished.